

Name: Carlota - A

Design: Joana Bover / 2003

Typology: Wall lamp

Environment: Indoor

Technical description:

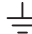




Wall lamp with brass structure coated in satin nickel, brilliant chrome, nickel with dark leather trim, or nickel with light caramel leather trim finishing.

Squared shaped lamp shade is available in cotton and white or cream translucent, hand wrapped polyester blend ribbon. The Carlota features a swivel arm that allows for easy, swift movement.

Also available in larger size.



Lamps description

	Grounding: compulsory
	1 x 60 W E26 A15 INC
	1 x 5 W E26 A15 LED
	1 x 13 W GU24 T2 CFL
	1 x 10W GU24 A15 LED


Voltage: 120V~60Hz

1 Box 17.72 x 17.72 x 13.78 inches

Vol.: 2.5038 ft³

Weight: 4.41 lbs

Certifications:  

 Photometrics made according to the position the lights are shown in the catalogue and price list.

Ref Finishings

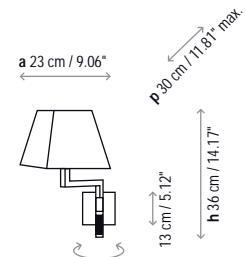
1024005U	Satin nickel
1024005GU	Satin nickel / GU24
1024006U	Brilliant chrome
1024006GU	Brilliant chrome / GU24
1024060U	Nickel dark leather
1024060GU	Nickel dark leather / GU24
1024061U	Nickel caramel leather
1024061GU	Nickel caramel leather / GU24
Square lampshade 7.87" x 5.91" x 3.94"	
P-107	Cotton
P-202	White translucent ribbon
P-203	Cream translucent ribbon

Surface back box \varnothing 4.33"

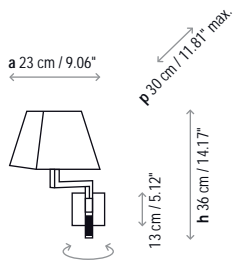
Swivel arm / brass-raw material

Customizable

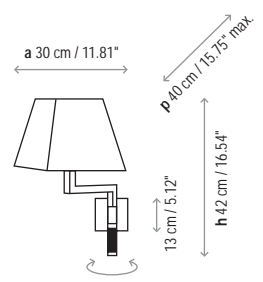
Measures



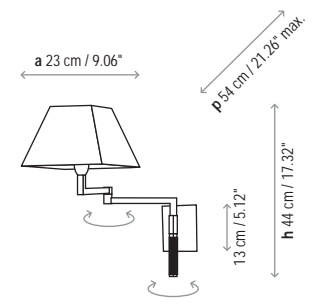
Carlota - A



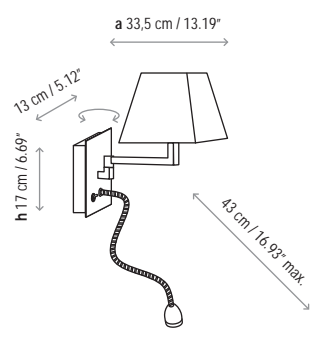
Carlota - G



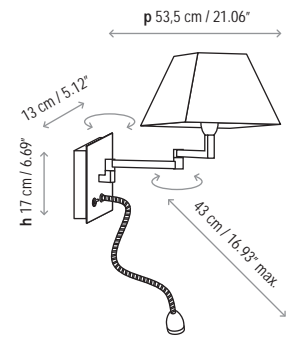
Carlota Doble Articulado



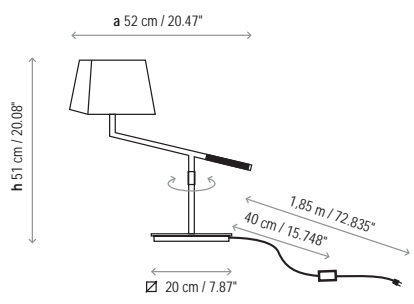
Carlota - G FL



Carlota Doble FL



Carlota - T



Carlota - Pie

