

Name: Maxi - S

Design: Joana Bover / 2004

Typology: Pendant lamp

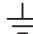



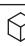


Environment: Outdoor

Technical description:

Outdoor pendant lamp with sealed, nonporous polyethylene shade housing two T5 florescent bulbs. Adjustable tensor wire allows for heighted to be changed easily. Iron canopy is finished with a white coating. Electrical cables can be installed from above or below, and all cables have propylene coating to respect IP 55 rating. Polyethylene shade is available only in white. Not customizable. (IP 55).



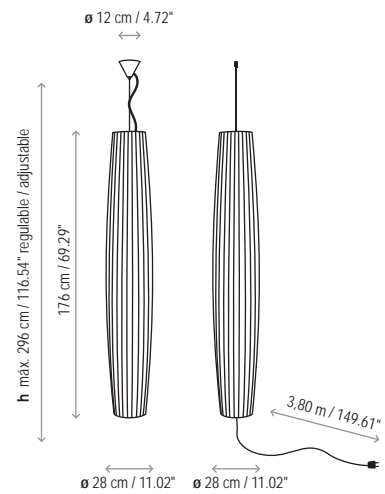
Lamps description

	Grounding: compulsory
	Ready for mounting on normally flammable surface
	2 x 28 W T5 HE
	2 x 54 W T5 HO
Voltage: 230V~50Hz	
	1 Box 34 x 35 x 200 cm
Vol.: 0,2380 m ³	
Weight: 9 kg	
Certifications:  IP-55	
	Photometrics made according to the position the lights are shown in the catalogue and price list.

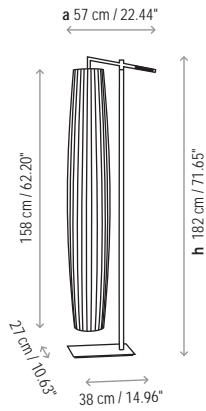
Ref Finishings

4429500TOP	Electrical Upper Installation
4429500INF	Electrical Bottom Installation
Light source is protected by a Polyethylene shade (Operating temperature: -40°C to +70°C)	
Adjustable tensor wire	
White canopy finished (only for upper installation)	
Not Customizable	

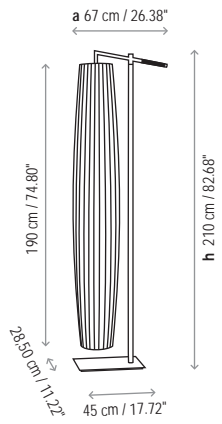
Measures



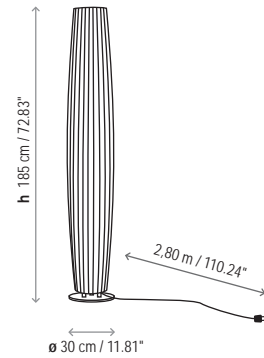
Maxi - 01 Floor



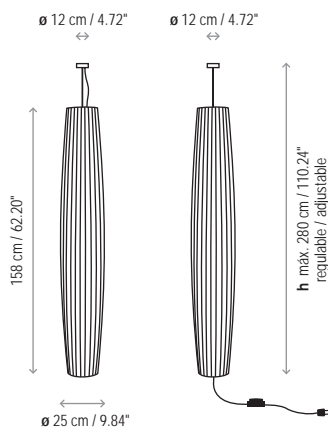
Maxi - 02 Floor



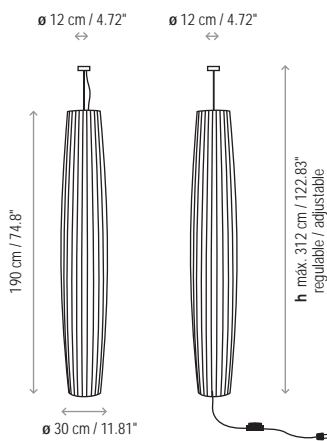
Maxi - 03 Floor



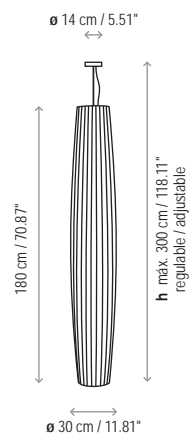
Maxi - 01 Pendant Lamp



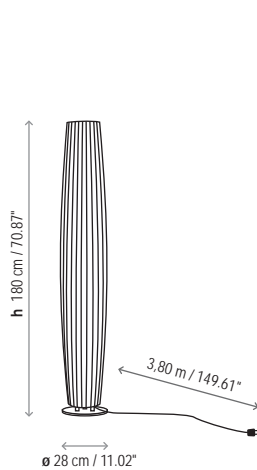
Maxi - 02 Pendant Lamp



Maxi - 03 / Dimable Pendant Lamp



Maxi - P Outdoor



Maxi - S Outdoor

