

Name: Mei - 150

Design: Joana Bover / 2004

Typology: Pendant lamp

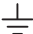



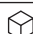



Environment: Indoor

Technical description:

Pendant lamp providing diffuser light through a translucent shade of hand wrapped polyester blend ribbon. The iron structure is available in three metallic finishes, and the ribbon is available in 4 standard colors. For special ribbon colors please consult. The electrical wiring is transparent; the canopy is a flat disc. Lower PVC diffuser is included. Tensor wire is available in 1.5, 3 and 5 meters. The Mei Collection is customizable.



Lamps description

	Grounding: compulsory
	6 x 100 W E26 A19 INC
	6 x 10 W E26 A19 LED
	6 x 20 W E26 Triple CFL
Voltage: 120V~60Hz	
	1 Box 61.81 x 61.81 x 30.31 inches
Vol.: 67.0274 ft <sup>3</sup>	
Weight: 55.12 lbs	
Certifications:  	
	Photometrics made according to the position the lights are shown in the catalogue and price list.

Ref      Finishings

4619903U	Brown Iron
4619904U	Black Iron
4619905U	Satin Nickel
Lampshade 59.06" X 27.56" X 23.23"	
P-590C	White Translucent Ribbon
P-591C	Cream Translucent Ribbon
P-592C	Red Translucent Ribbon
P-593C	Black Translucent Ribbon

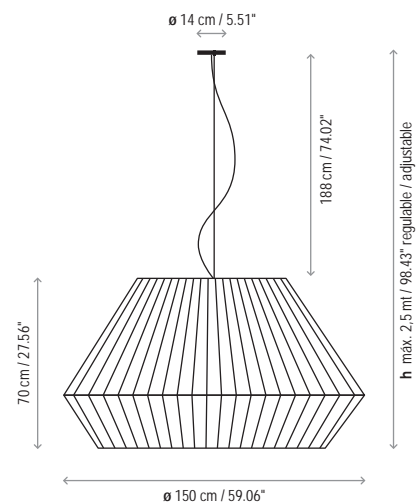
Diffuser included

Transparent connection

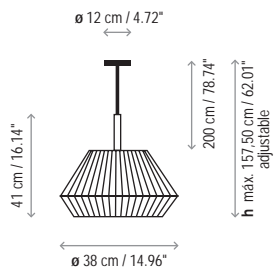
Porcelain lampholders

Customizable

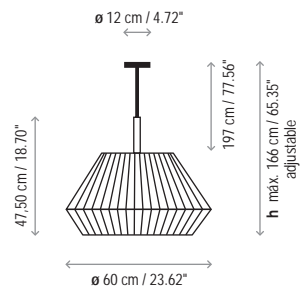
Measures



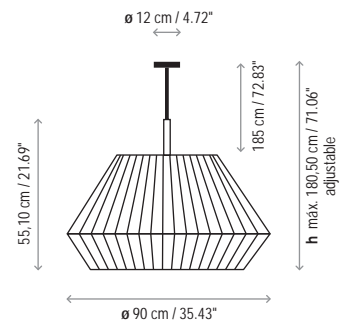
Mei - 38



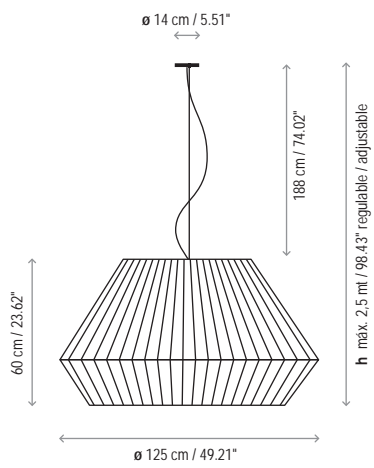
Mei - 60



Mei - 90



Mei - 125



Mei - 150

