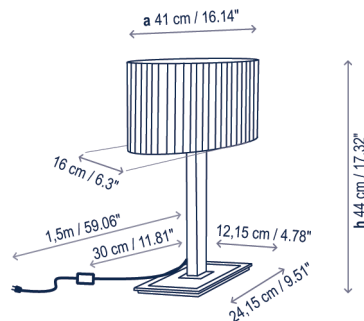


# Oval M/44

Diseño / Design:  
Joana Bover / 2007

Tipología: Mesa  
Typology: Table lamp

Ambiente: Interior  
Environment: Indoor



## Descripción técnica / Technical description:

Peso Neto: 2,91 kg  
Net Weight: 2,91 kg

1 Caja/Box | 61 x 61 x 40 cm | 0,1488 m<sup>3</sup>  
Peso bruto / Gross Weight: 5,93 kg

Materiales: Latón, Cristal, Hierro  
Materials: Brass, Glass, Iron

Difusor superior: Cristal negro  
Upper diffuser: Black glass

Cable eléctrico transparente  
Transparent electrical cable

Hilo incandescente pantalla / Shade GWF1

Cinta / Ribbon: 960°  
Cotonet / Cotton: 800°

Personalizable  
Customizable

Bombillas no incluidas  
Bulbs not included

Certificaciones  
Certifications

Recambios / Spare parts:

R21250D Difusor cristal / Diffuser glass  
R21250B Base cristal / Base glass

## Descripción lámpara / Lamps description:

230V 50Hz | IP-20 | 1 x 46 W EcoClassic P45 E-27 | 1 x 6 W LED E-27 P45

| Ref           | Acabados / Finishing   | Ean13         |
|---------------|--|---------------|
| 2125023/P551D | Cromo Cristal Negro<br>Pantalla Cinta Translúcida Blanca<br>Chrome Black Glass<br>White Translucent Ribbon Shade | 8435493704654 |
| 2125023/P552D | Cromo Cristal Negro<br>Pantalla Cinta Translúcida Crema<br>Chrome Black Glass<br>Cream Translucent Ribbon Shade  | 8435493704661 |
| 2125023/P553D | Cromo Cristal Negro<br>Pantalla Cinta Translúcida Negra<br>Chrome Black Glass<br>Black Translucent Ribbon Shade  | 8435493704678 |
| 2125023/P554D | Cromo Cristal Negro<br>Pantalla Cotonet Blanco<br>Chrome Black Glass - White Cotton Shade                        | 8435493704685 |
| 2125017/P551D | Níquel Cristal Negro<br>Pantalla Cinta Translúcida Blanca<br>Nickel Black Glass - White Translucent Ribbon Shade | 8435493704579 |
| 2125017/P552D | Níquel Cristal Negro<br>Pantalla Cinta Translúcida Crema<br>Nickel Black Glass - Cream Translucent Ribbon Shade  | 8435493704586 |
| 2125017/P553D | Níquel Cristal Negro<br>Pantalla Cinta Translúcida Negra<br>Nickel Black Glass - Black Translucent Ribbon Shade  | 8435493704593 |
| 2125017/P554D | Níquel Cristal Negro<br>Pantalla Cotonet Blanco<br>Nickel Black Glass - White Cotton Shade                       | 8435493704609 |

**bover**  
barcelona lights

Avda. Catalunya 173  
Poligon Ind. Sud  
08440 Cardedeu  
Barcelona, Spain

T. +34 938 713 152  
F. +34 938 462 089  
info@bover.es  
www.bover.es

Familia / Family: Oval

