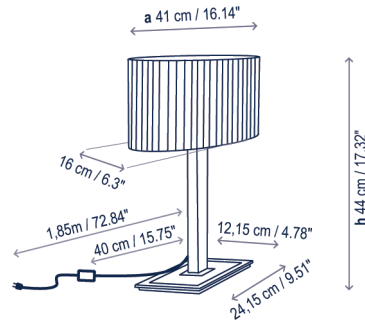


# Oval M/44

Design / Diseño:  
Joana Bover / 2007

Typology: Table lamp  
Tipología: Mesa

Environment: Indoor  
Ambiente: Interior



## Technical description / Descripción técnica:

Net Weight: 6.42 lbs  
Peso Neto: 6.42 lbs

1 Box/Caja  
24.02 x 24.02 x 15.75 inches | 5.2548 ft<sup>3</sup>  
Gross Weight / Peso bruto: 13.07 lbs

Materials: Brass, Glass, Iron  
Materiales: Latón, Cristal, Hierro

Upper diffuser: Black glass  
Difusor superior: Cristal negro

Transparent electrical cable  
Cable eléctrico transparente

Shade GWFI / Hilo incandescente pantalla

Ribbon / Cinta: 960°  
Cotton / Cotonet: 800°

Customizable  
Personalizable

Bulbs not included  
Bombillas no incluidas

Certifications  
Certificaciones

Spare parts / Recambios:

R21250D Diffuser glass / Difusor cristal  
R21250B Base glass / Base cristal

## Lamps description / Descripción lámpara:

120V 60Hz | DRY | IP-20 | 1 x 60 W E26 A15 INC | 1 x 5 W E26 A15 LED

Ref	Finishing / Acabados	Ean13
2125023U/P551D	Chrome Black Glass White Translucent Ribbon Shade Cromo Cristal Negro Pantalla Cinta Translúcida Blanca	8435493720357
2125023U/P552D	Chrome Black Glass Cream Translucent Ribbon Shade Cromo Cristal Negro Pantalla Cinta Translúcida Crema	8435493720364
2125023U/P553D	Chrome Black Glass Black Translucent Ribbon Shade Cromo Cristal Negro Pantalla Cinta Translúcida Negra	8435493720371
2125023U/P554D	Chrome Black Glass White Cotton Shade Cromo Cristal Negro - Pantalla Cotonet Blanco	8435493720388
2125017U/P551D	Nickel Black Glass White Translucent Ribbon Shade Níquel Cristal Negro - Pantalla Cinta Translúcida Blanca	8435493720395
2125017U/P552D	Nickel Black Glass Cream Translucent Ribbon Shade Níquel Cristal Negro - Pantalla Cinta Translúcida Crema	8435493720401
2125017U/P553D	Nickel Black Glass Black Translucent Ribbon Shade Níquel Cristal Negro - Pantalla Cinta Translúcida Negra	8435493720418
2125017U/P554D	Nickel Black Glass White Cotton Shade Níquel Cristal Negro - Pantalla Cotonet Blanco	8435493720425

**bover**  
barcelona lights

1231 Collier Road,  
Suite C  
Atlanta, GA 30318  
United States

T. +1 (404) 924 2342  
info@boverusa.com  
www.boverusa.com

## Family / Familia: Oval

