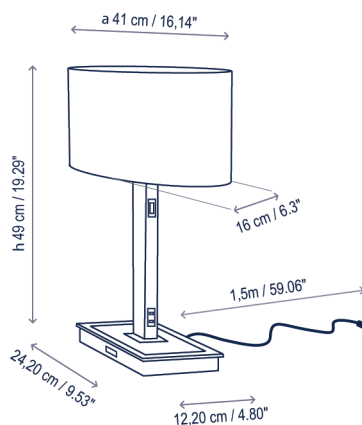


Oval M/47

Diseño / Design:
Joana Bover / 2007

Tipología: Mesa
Typology: Table lamp

Ambiente: Interior
Environment: Indoor



Descripción técnica / Technical description:

Peso Neto: 2,52 kg
Net Weight: 2,52 kg

1 Caja/Box | 67 x 67 x 25 cm | 0,1122 m³
Peso bruto / Gross Weight: 5,62 kg

Materiales: Latón, Cristal, Hierro
Materials: Brass, Glass, Iron

Difusor superior: Cristal negro
Upper diffuser: Black glass

Cable eléctrico transparente
Transparent electrical cable



Interruptor de encendido y enchufe para clavija tipo C situado en mástil.
Entrada conector USB en la base.
On/Off switch and outlet for type C plug located on the stem.
USB port located on the base.

Hilo incandescente pantalla / Shade GWF1

Cinta / Ribbon: 960°
Cotonet / Cotton: 800°

USB: 5V 1A

Personalizable
Customizable

Bombillas no incluidas
Bulbs not included

Certificaciones
Certifications

Recambios / Spare parts:

R21250D Difusor cristal / Diffuser glass
R21250B Base cristal / Base glass

Descripción lámpara / Lamps description:

230V 50Hz IP-20 1 x 46 W EcoClassic P45 E-27 1 x 6 W LED E-27 P45

Ref	Acabados / Finishing	Ean13
2125023USB/P551D	Cromo Cristal Negro Pantalla Cinta Translúcida Blanca Chrome Black Glass White Translucent Ribbon Shade	8435493704692
2125023USB/P552D	Cromo Cristal Negro Pantalla Cinta Translúcida Crema Chrome Black Glass Cream Translucent Ribbon Shade	8435493704708
2125023USB/P553D	Cromo Cristal Negro Pantalla Cinta Translúcida Negra Chrome Black Glass Black Translucent Ribbon Shade	8435493704715
2125023USB/P554D	Cromo Cristal Negro Pantalla Cotonet Blanco Chrome Black Glass - White Cotton Shade	8435493704722
2125017USB/P551D	Níquel Cristal Negro Pantalla Cinta Translúcida Blanca Nickel Black Glass - White Translucent Ribbon Shade	8435493704616
2125017USB/P552D	Níquel Cristal Negro Pantalla Cinta Translúcida Crema Nickel Black Glass - Cream Translucent Ribbon Shade	8435493704623
2125017USB/P553D	Níquel Cristal Negro Pantalla Cinta Translúcida Negra Nickel Black Glass - Black Translucent Ribbon Shade	8435493704630
2125017USB/P554D	Níquel Cristal Negro Pantalla Cotonet Blanco Nickel Black Glass - White Cotton Shade	8435493704647

bover
barcelona lights

Avda. Catalunya 173
Polígon Ind. Sud
08440 Cardedeu
Barcelona, Spain

T. +34 938 713 152
F. +34 938 462 089
info@bover.es
www.bover.es

Familia / Family: Oval

