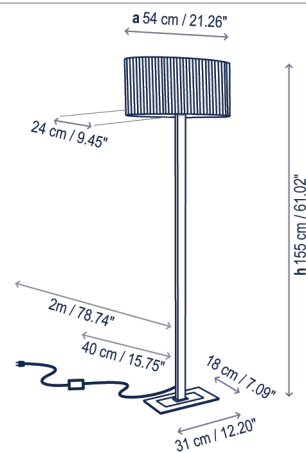


Oval P/154

Diseño / Design:
Joana Bover / 2007

Tipología: Pie
Typology: Floor lamp

Ambiente: Interior
Environment: Indoor



Descripción técnica / Technical description:

Peso Neto: 5,93 kg
Net Weight: 5,93 kg

2 Cajas / 2 Boxes:

1 Caja/Box | 35 x 34 x 148 cm | 0,1761 m³
Peso bruto / Gross Weight: 8,27 kg

1 Caja/Box | 61 x 27 x 30 cm | 0,0494 m³
Peso bruto / Gross Weight: 1,17 kg

Materiales: Latón, Cristal, Hierro
Materials: Brass, Glass, Iron

Cable eléctrico transparente
Transparent electrical cable

Hilo incandescente pantalla / Shade GWF1

Cinta / Ribbon: 960°
Cotonet / Cotton: 800°

Personalizable
Customizable

Bombillas no incluidas
Bulbs not included

Certificaciones
Certifications

Recambios / Spare parts:

R21250B Base cristal / Base glass

Descripción lámpara / Lamps description:

230V 50Hz | IP-20 | 1 x 77 W EcoClassic A55 E-27 | 1 x 18 W CFL E-27 | 1 x 6 W LED A60 E-27

Ref	Acabados / Finishing	Ean13
3025023/P557	Cromo Cristal Negro Pantalla Cinta Translúcida Blanca Chrome Black Glass White Translucent Ribbon Shade	8435493707839
3025023/P558	Cromo Cristal Negro Pantalla Cinta Translúcida Crema Chrome Black Glass Cream Translucent Ribbon Shade	8435493707846
3025023/P559	Cromo Cristal Negro Pantalla Cinta Translúcida Negra Chrome Black Glass Black Translucent Ribbon Shade	8435493707853
3025023/P560	Cromo Cristal Negro Pantalla Cotonet Blanco Chrome Black Glass - White Cotton Shade	8435493707860
3025017/P557	Níquel Cristal Negro Pantalla Cinta Translúcida Blanca Nickel Black Glass - White Translucent Ribbon Shade	8435493707792
3025017/P558	Níquel Cristal Negro Pantalla Cinta Translúcida Crema Nickel Black Glass - Cream Translucent Ribbon Shade	8435493707808
3025017/P559	Níquel Cristal Negro Pantalla Cinta Translúcida Negra Nickel Black Glass - Black Translucent Ribbon Shade	8435493707815
3025017/P560	Níquel Cristal Negro Pantalla Cotonet Blanco Nickel Black Glass - White Cotton Shade	8435493707822

bover
barcelona lights

Avda. Catalunya 173
Poligon Ind. Sud
08440 Cardedeu
Barcelona, Spain

T. +34 938 713 152
F. +34 938 462 089
info@bover.es
www.bover.es

Familia / Family: Oval

